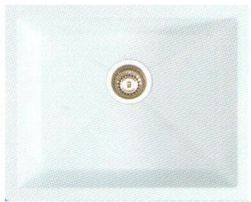


CARYSIL[®]**Kitchen Sinks*****By Acrysil GmbH of Germany**

Inspired by nature, “**CARYSIL**” sinks are made from 75-80% mineral quartz – a rock-hard material, using **German Technology**. These exquisite sinks are available in various attractive colors to match your kitchen top. Besides looking elegant, “**CARYSIL**” sinks are scratch and high-impact resistant for long-lasting beauty. Most importantly, they are non-porous (homogenous), which make them hygienic and safe in contact with food. “**CARYSIL**” sinks are widely exported to Asia, Europe, and US markets. In Singapore, we have a 18-year proven track record with project references of: **Grandeur 8, Queens, Sunhaven, Summerhill, Chelsea Gardens, Tanglin View, Bishan 8, etc**

Make “CARYSIL” Your Preferred Choice Now!



Salsa
533x457x205mm



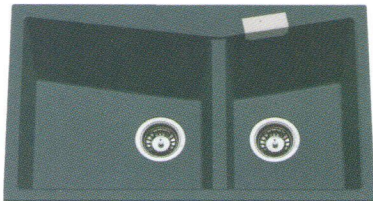
Waltz
560x510x205mm



Big Bowl
610x457x205mm



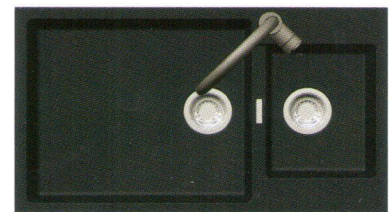
Jumbo #780
780x510x220mm



Deluxe #800 (2Bowl)
800x500x205mm



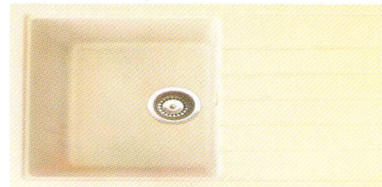
Deluxe #860 (2Bowl)
860x500x205mm



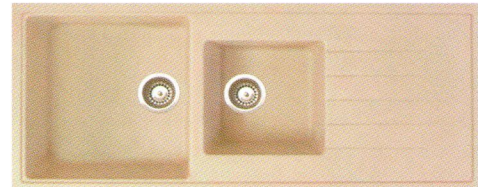
Engima #860 (2Bowl)
860x500x215mm
***Reversible - FRESH & HOT!**



Swan Ascend (1B+1D)
860x500x254mm



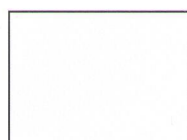
Deluxe #1000 (1B+1D)
1000x500x205mm



Deluxe #1160 (2B+1D)
1160x500x205/205mm



TERRA



SNOVA



NERA

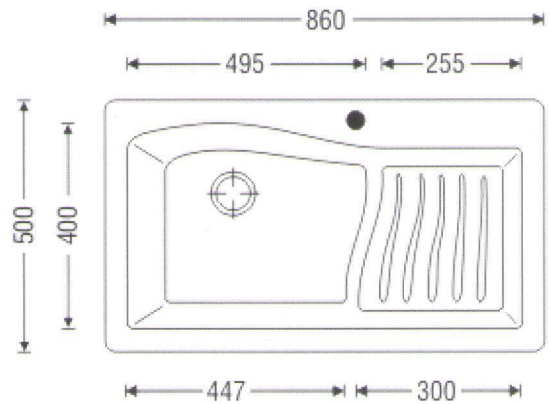
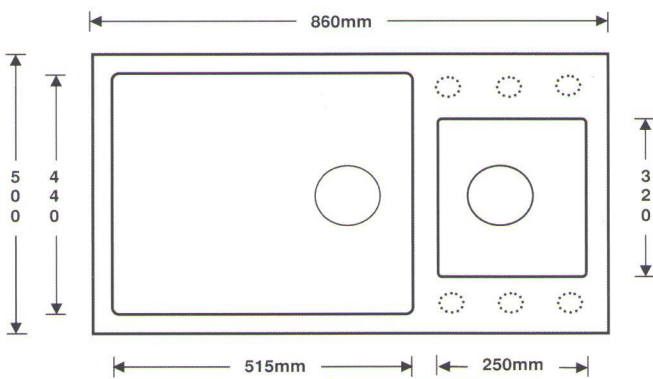
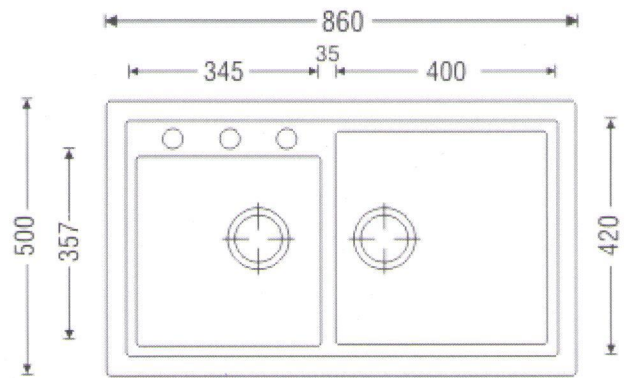
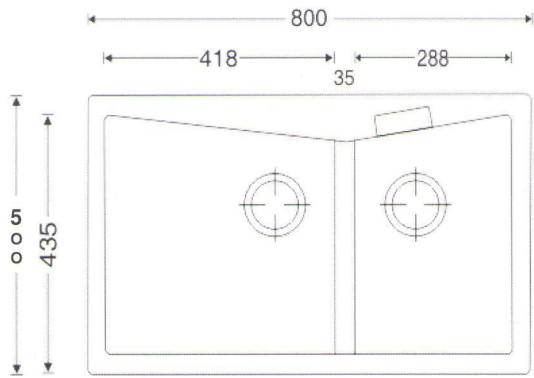
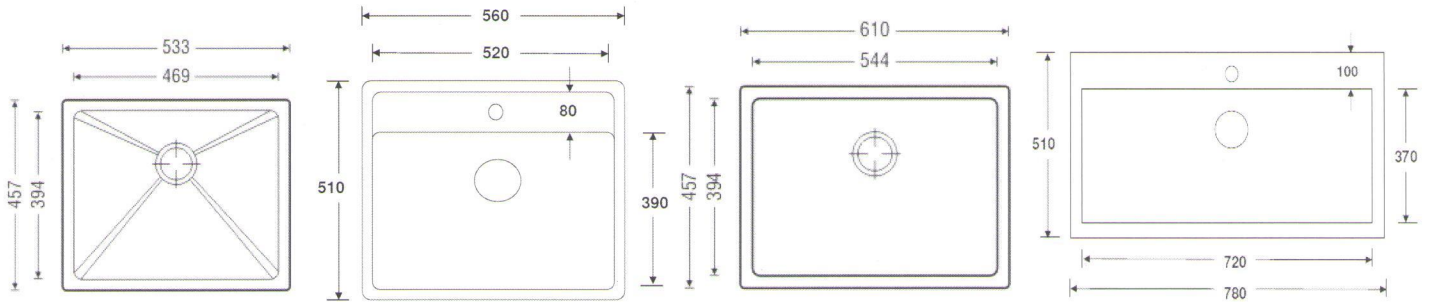


MONTANA

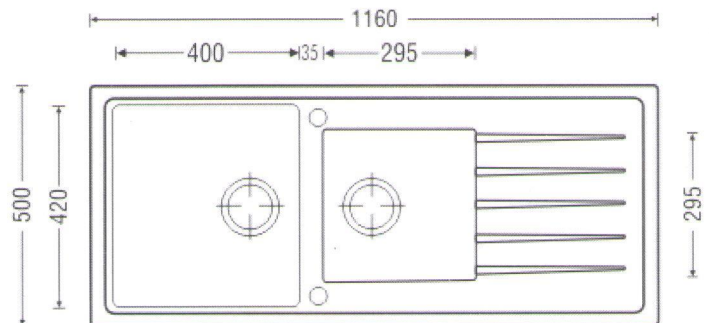
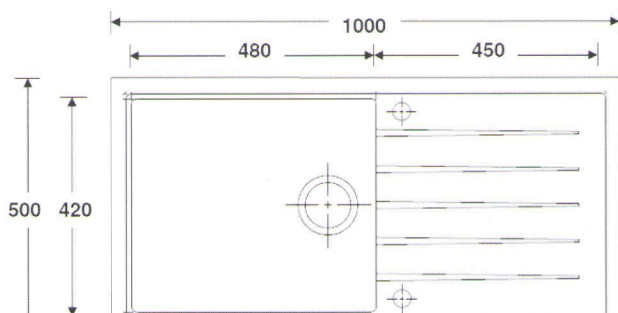
CARYSIL®

Kitchen Sinks

*By Acrysil GmbH of Germany



***Reversible - FRESH & HOT!**



Available at :

BATHWORLD

P r e m i u m B a t h r o o m F i t t i n g s & S p a s

541a balestier road Singapore 329863

532 balestier road Singapore 329859

tel : 6352 2202 / 6355 0055 fax : 6352 2272

enquiry@bathworld.net

www. bathworld.net